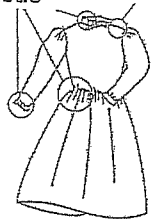
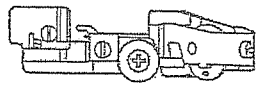


HOW TO USE THE TAPING FOOT

Usage of the elastic



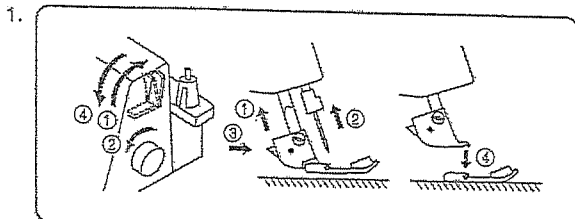
Usage of the tape

FEATURES

By using the taping foot, you can sew tapes as well as elastics and hem at the same time beautifully.

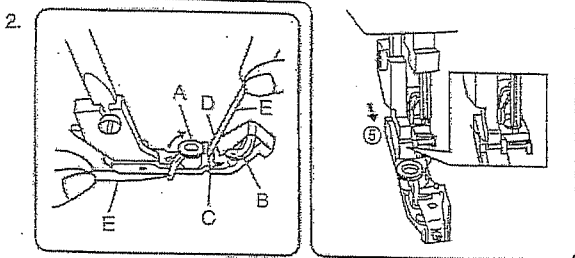
- Tapes or elastics from 6mm up to 12mm width can be sewn.
- Without pulling materials or tapes/elastics, you can sew by just guiding them.
- Attaching tapes is very useful for reinforcement on stretchable materials such as knitted garments at shoulder. Also attaching elastics is suitable for sewing cuffs, neckline and so on.

1. TO FIX THE TAPING FOOT



- (1) Lift the presser foot lever.
- (2) Set the needle to its highest position by turning the hand wheel.
- (3) Push the button and the standard foot will be disengaged as illustrated.
- (4) Lift the presser foot farther by pushing the presser foot lever upward. Then remove the presser foot by turning it counterclockwise slightly and then pulling it backward as illustrated.

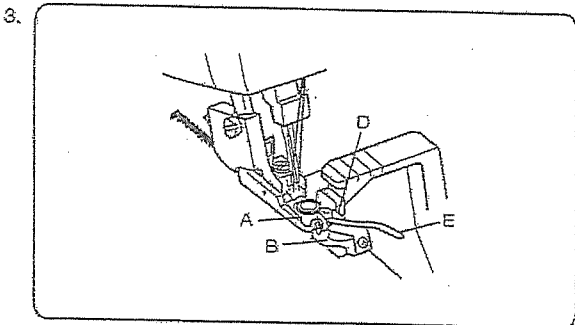
Note: When removing the presser foot, it is recommendable to pull it backward preventing the spring on the foot from touching the spring bar on the presser holder.



- (5) Lift the presser foot farther by pushing the presser foot lever upward. Then set the taping foot from behind so that the pin on the foot meets the holder properly as illustrated.

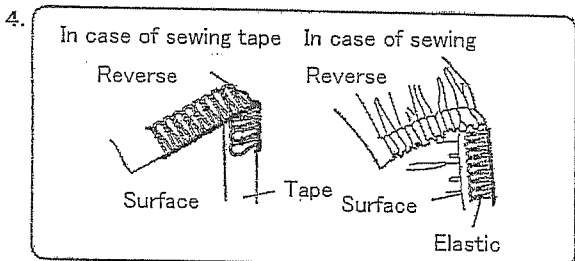
Note: Make sure by moving the foot up and down as to whether the foot is properly connected with the holder or not.

2. HOW TO SET THE ELASTIC/TAPE



- (1) Lift the presser foot lever.
- (2) Set the needle to its highest position by turning the hand wheel.
- (3) Flip open the tape guide (A), then set the presser adjusting dial (B) at "0".
- (4) Put the tape or the elastic (E) through the slot (C) as illustrated.
- (5) Insert the tape or the elastic (E) through the slot (C) so that the righthand side of tapes/elastics will be set along the guide (D).
- (6) Flip shut the tape guide (A) so that it will be set at the lefthand side of tapes/elastics.

3. TRIAL SEWING



- (1) Lift the presser foot lever.
- (2) Insert the materials, till the edge of the materials will touch the blade.
- (3) Lower the presser foot lever.
- (4) Set the stitch width control dial at "5" as illustrated.
- (5) Set the stitch length control lever.
 - (a) set the stitch length control lever between "3" and "4" when sewing with tapes.
 - (b) set the stitch length control lever "4" when sewing with elastics.
- (6) Adjust the presser adjusting dial (B)
 - (a) at "0" when sewing with tapes.
 - (b) at desirable number for contraction when sewing with elastics.

Note: 1) Contraction will be increased with larger number.

2) Contraction will be decreased with smaller number.

(7) Make trial sewing and adjust thread tensions.

Note: 1) Thread tensions are alike to normal overedging when sewing with tapes.

2) It is recommendable to have a stronger tension for underlooper (righthand tension lever) and overlooper (next to underlooper tension lever) for beautiful finish.

3) It is advisable to make trial sewing on each.

4. PROPER SEWING SEAM WITH TAPE / ELASTICS

Please note that some descriptions may not apply to your model.