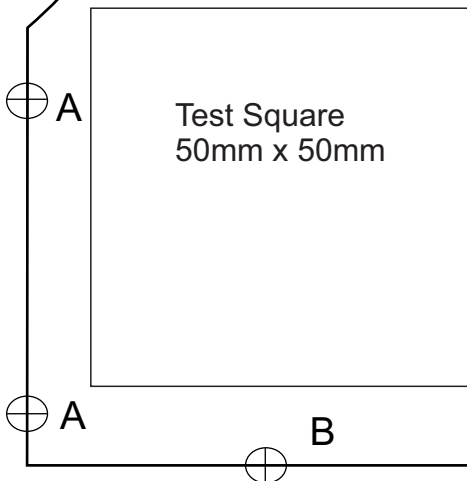
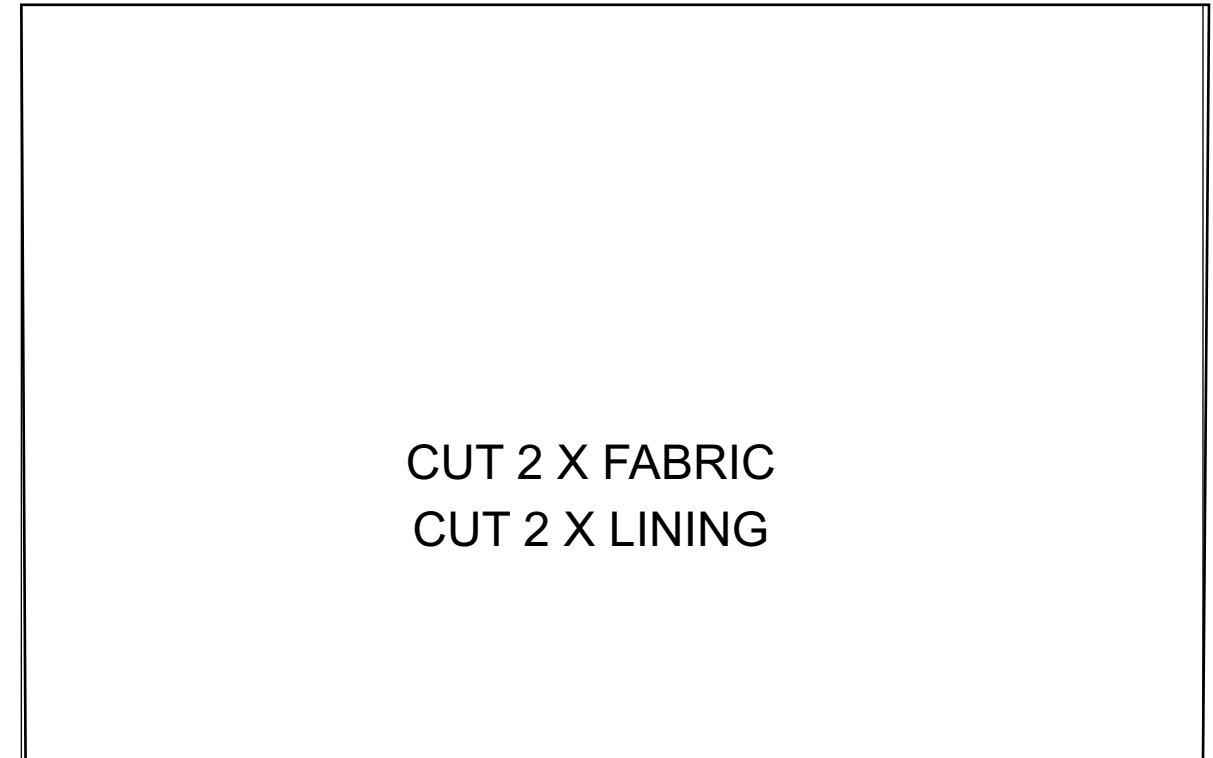
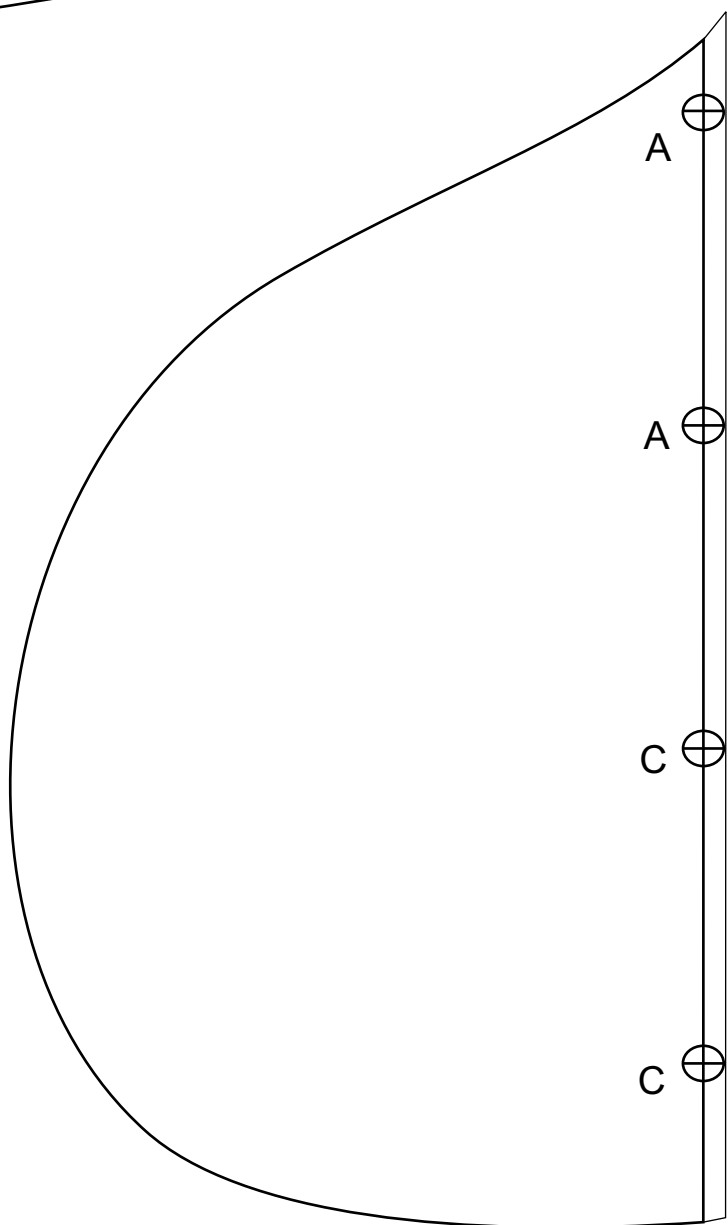
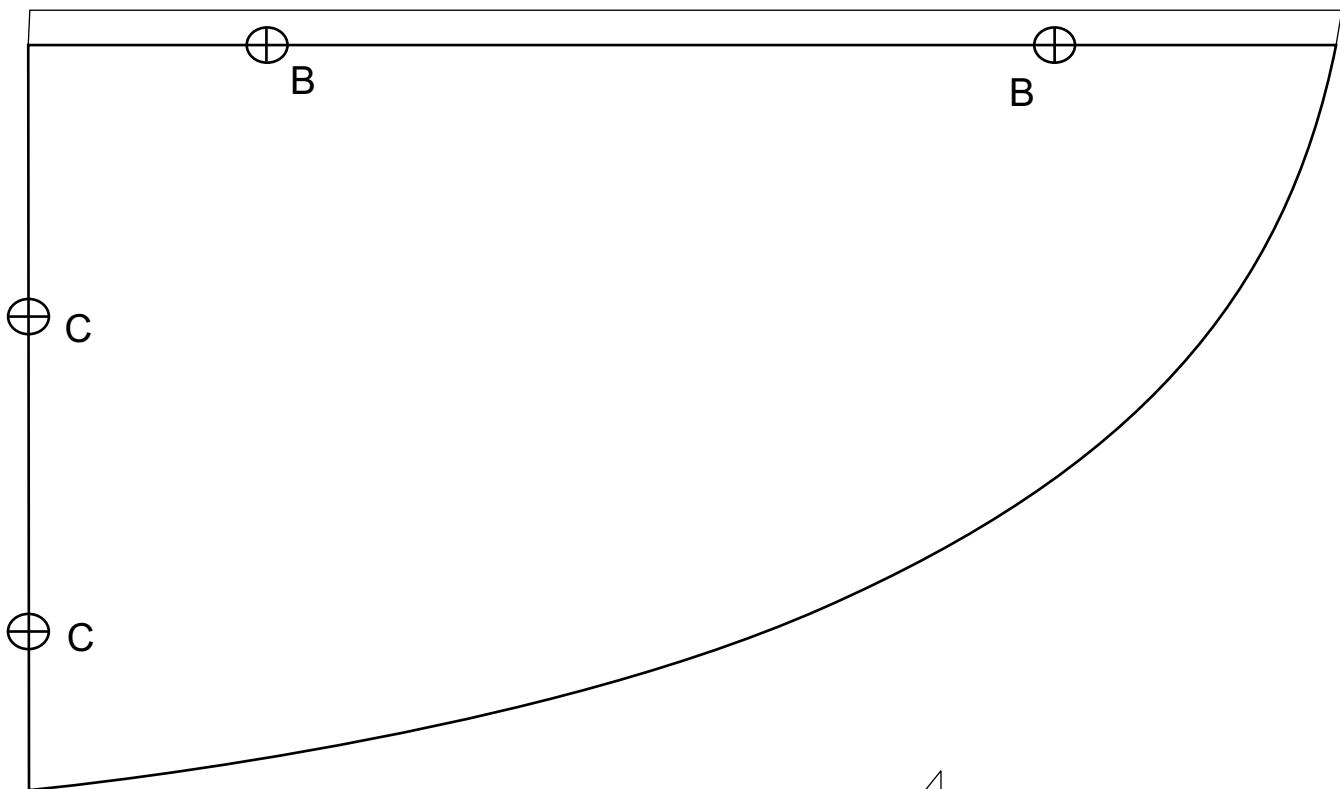


CUT 2 X FABRIC
CUT 2 X LINING



Christmas Stocking
Sewing Pattern





CUT 1 X
STOCKING
HANGER/TAB

CUT 2 X
STOCKING FLAP